

COOMi
Find your ventilating solutions



SPIDERFAN SERIES

WALL HVLS FAN





With
Oscillation



Variable
Speed



Natural
Wind



Low
Noise



Energy
Efficient



Splash
Proof



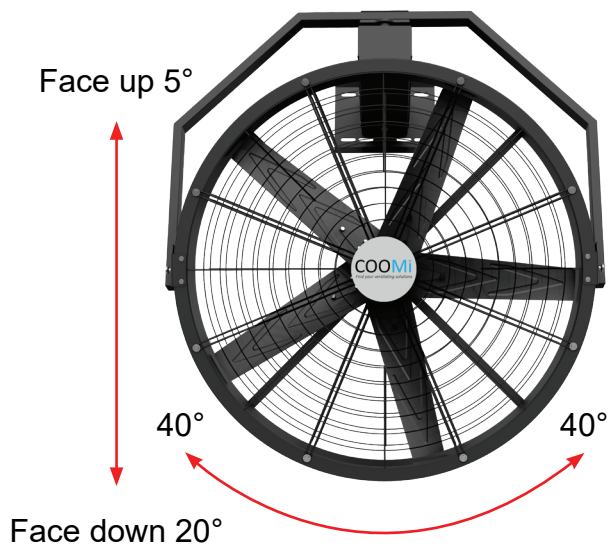
Tested &
Certified



5-years
Warranty

The Spiderfan wall-mounted HVLS fan is designed to deliver exceptional cooling performance in spaces with limited installation options, such as factories, gyms, warehouses, and workshops, etc. Built with high-strength hot-rolled plates seamlessly welded and treated with ceramic technology, it boasts corrosion resistance, vibration resistance, and fall prevention, ensuring durability for years of worry-free use. With its 40-degree left-right oscillation feature, the Spiderfan maximizes airflow coverage, delivering a natural breeze that enhances comfort while minimizing the health issues associated with traditional high-speed fans.

Equipped with a high-efficiency permanent magnet synchronous motor and IP54-rated control system, the Spiderfan offers energy-saving performance and resilience against oil, dust, and moisture. The advanced control system ensures reliable operation with protections like overload, lightning, and overheating safeguards, and temperature-based adjustments. Capable of delivering airflow up to 24m and with adjustable wind speeds of 1-6.7m/s, the Spiderfan is a versatile and innovative solution for improving environmental comfort across a variety of industrial and commercial settings.

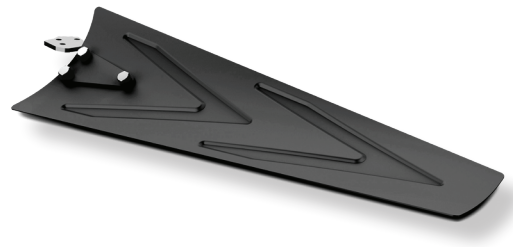


INNOVATIVE OSCILLATING

Unlike stationary wall fans that cause discomfort with direct airflow, our revolutionary oscillating HVLS fan sweeps across a wider area, providing gentle and even cooling. The 40° wide-angle left-right oscillation covers more space, enhances comfort, and reduces energy use—perfect for large indoor areas. Additionally, the fan can be tilted between 5° upward and 20° downward, allowing for precise airflow direction to maximize cooling efficiency.

AERODYNAMIC FAN BLADE

The blades are made from aluminum-magnesium alloy, crafted through extrusion molding. They provide high strength, good toughness, lightweight construction, resistance to corrosion and oxidation, and long service life. Furthermore, aluminum is 100% recyclable, making it an eco-friendly choice for sustainable production and reduced carbon footprint.

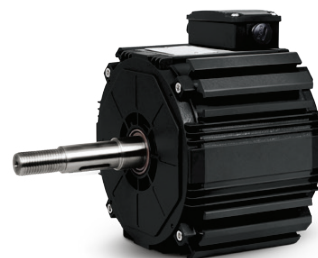


PERMANENT MAGNET SYNCHRONOUS MOTOR

A Permanent Magnet Synchronous Motor (PMSM) is a cutting-edge electric motor that leverages permanent magnets and synchronized magnetic fields to achieve exceptional efficiency. In the context of HVLS wall fans, PMSM motors are mounted on the fan hub, driving the blades to produce a high-volume, low-speed airflow.

By harnessing the power of PMSM technology, our HVLS wall fans can operate effectively while minimizing energy consumption, making them an ideal choice for environmentally conscious and cost-effective solutions.

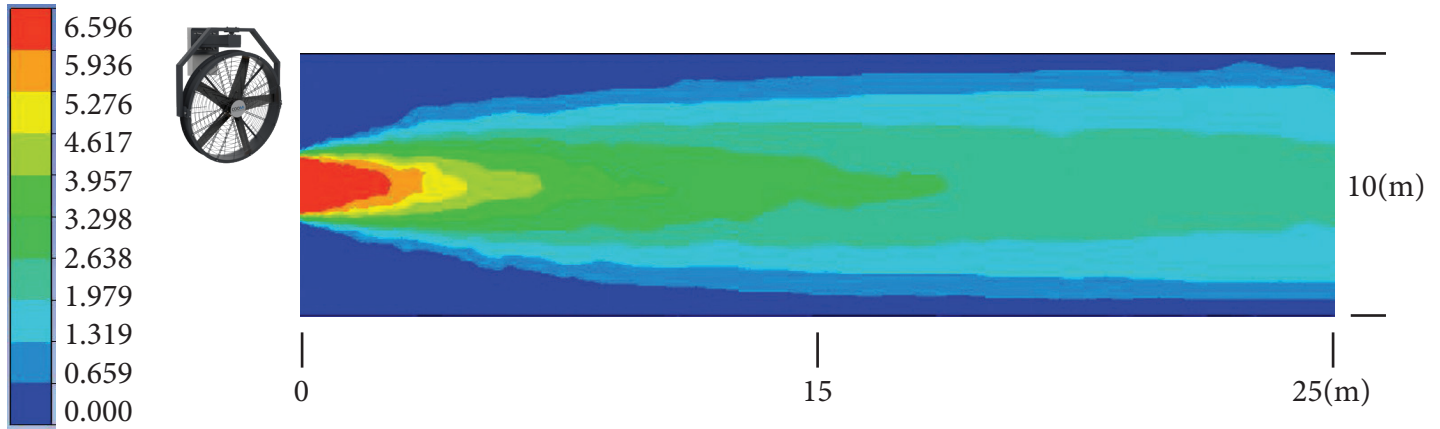
- Without rotor losses
- High efficiency and precision
- Improve grid operating environment
- Frequency modulation width (0-100HZ)
- Small size and lightweight
- Saving energy and highly efficient
- 5-year warranty



AIRFLOW VELOCITY & DISTANCE

The below airflow velocity is collected from our Spiderfan 120-5 and the effective cooling distance in an open space is up to 24m. A comfortable range of airflow velocity that offers cooling without causing discomfort is between 1 m/s to 3 m/s but keep in mind that individual perceptions can vary and other factors like humidity temperature, air quality, noises, working & surrounding conditions, the distribution of air, and the direction of the airflow can also influence how a breeze is perceived.

Airflow
Velocity (m/s)



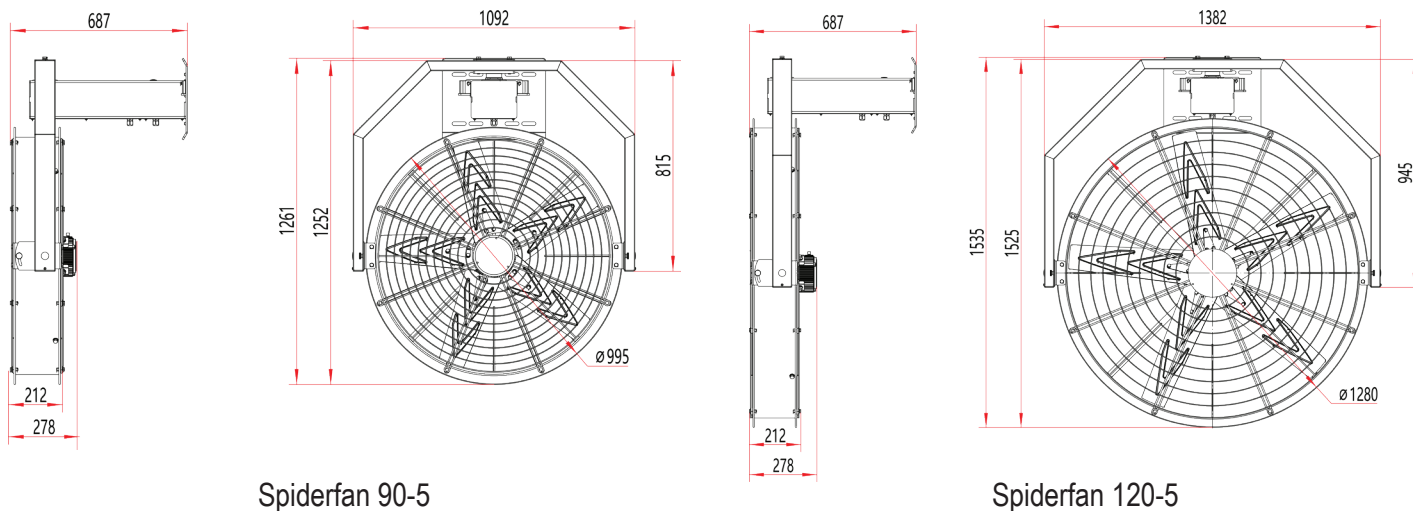
The Coomi Spiderfan utilizes aerodynamic principles and advanced technology to generate a natural breeze system by creating a circulating airflow field with its powerful air-stirring force. This three-dimensional airflow enhances sweat evaporation, providing a refreshing and comfortable cooling effect from all directions. Additionally, the fan features an adjustable tilt angle of 5° upward and 20° downward, allowing for optimal airflow direction to suit different environments and maximize cooling efficiency.

VVC CONTROL TECHNOLOGY

Spiderfan HVLS wall fan boasts a rugged control unit with IP54 protection, delivering dependable performance across diverse environments. Equipped with cutting-edge VVC technology (Variable Voltage Control), it enables precise speed control and maximum energy efficiency. With comprehensive protection, our HVLS fan ensures safe, efficient operation, minimizing downtime and extending its lifespan.



DIMENSION AND INSTALLATION CLEARANCE



Spiderfan 90-5

Spiderfan 120-5

Model	Dimension (mm)			Installation Clearance (mm)		
	Length	Width	Height	Top	Sides	Height
Spiderfan 90-5	1092	278	1261	300	500	3000
Spiderfan 120-5	1382	278	1535	300	500	3000

TECHNICAL DATA

Model	Spiderfan 90-5	Spiderfan 120-5
Diameter (m)	0.90	1.20
Power (kW)	0.37	0.55
Voltage (V)	380/220	380/220
Frequency (Hz)	50/60	50/60
Current (A)	2.3/1.2	2.6/1.3
Rotational Speed (rpm/min)	810	600
Air Speed (m/s)	6.8	6.3
Airflow (m ³ /h)	16000	26000
Noise (dB)	≤45	≤45
Air Supply Distance (m)	≤20	≤20

* Technical data may vary depending on the location and surrounding environment.

* CooMi's products are subject to change at any time without notice. We may modify specifications, features, and designs to ensure ongoing improvement.



Workshop



Production line



Gym



Warehouse



School

15 Kian Teck Crescent
Phone: 6268 0066
Email: coomi@casa.com.sg
Website: www.coomi.sg

COOMi
Find your ventilating solutions