



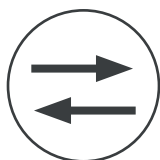
Variable Speed



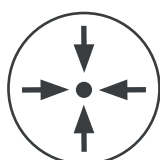
Natural Wind



Low Noise



Easy to Move



Compact Structure



Energy Efficient



Outdoor Compatible

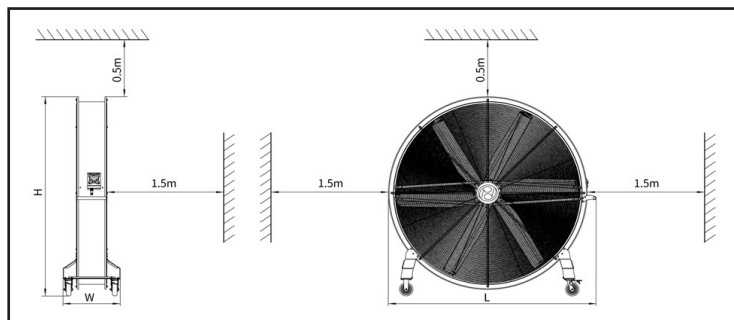


Tested & Certified

### TECHNICAL DATA

Model	Diameter (m)	Voltage (v)	Frequency (Hz)	Power (kW)	Rotating Speed (rpm)	Max Air Speed (m/s)	Airflow (m³/h)	Weight (kg)	Noise (dB)	Coverage area (m²)
Supermoon 200-6	2.0	230/380	50/60	1	≤300	5.5	80000	122	39	260
Supermoon 150-6	1.5	230/380	50/60	0.75	≤420	6.5	55000	93	39	150
Supermoon 100-6	1.0	230/380	50/60	0.55	≤600	7.0	30000	45	39	80

### DIMENSION AND INSTALLATION CLEARANCE



Model	Dimension (m)			Installation Clearance (m)		
	Length	Width	Height	Top	Sides	Back
Supermoon 200-6	2.20	0.60	2.20			
Supermoon 150-6	1.70	0.60	1.70	0.50	1.50	1.50
Supermoon 100-6	1.20	0.50	1.20			